

[Home](#) / [Downloads](#)

Download

You will find extensive product information, service manuals, catalogues, technical documentation, contact data and quality documents here.

Catalogues

[Catalogue Order](#) (02/2017)

[Servo gearboxes](#)

Typ: MPR / MPRN / MPRW / MPG / MPL

Typ: SK / SKN / SKH / SKPR / SKPRN / SKPG (05/2018)

Typ: ML / MH

Typ: MKS / MKSH / MKSHF

[Mechanical gearboxes](#)

Typ: K / L / H / LS / LV / MK / ML / MH (05/2018)

Typ: KS / KSH / MKS / MKSH / MKSHF

[Industrial gearboxes](#)

Typ: P / PH / PF / PFH

Typ: MP / MPH / MPF / MPFH

Typ: LP / LPF / MLP / MLPF (05/2018)

Typ: LPH / LPFH / MLPH / MLPFH

Typ: L / H / LS / LV / MK / ML / MH

Typ: KS / KSH / MKS / MKSH / MKSHF

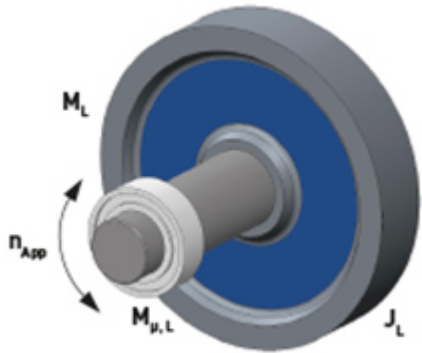
[Rack & Pinion Drive](#) (05/2012)

Request form / application form



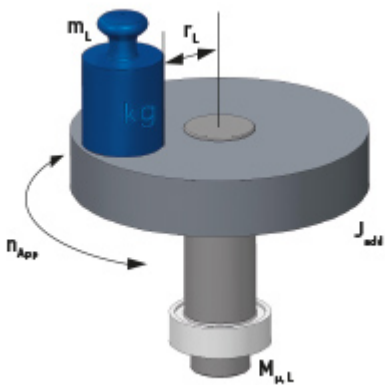


[Request form](#)



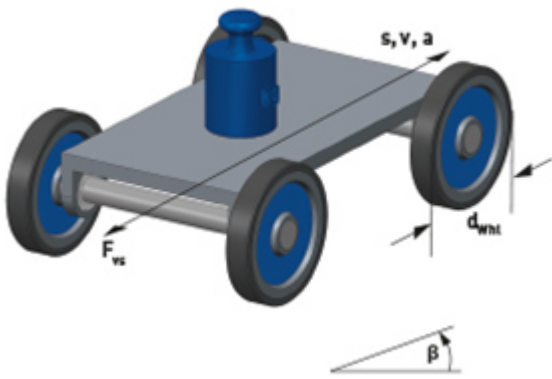
General rotational drive

[Application form](#)



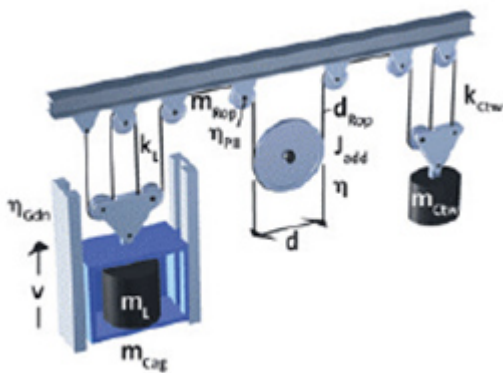
Rotary table

[Application form](#)



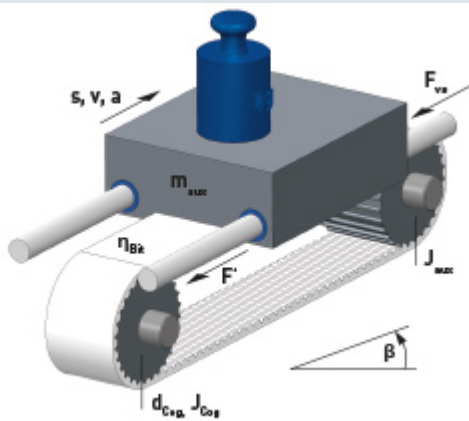
Traction drive

[Application form](#)



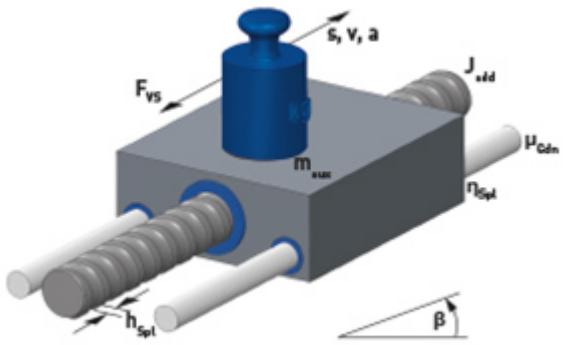
Lift drive

[Application form](#)



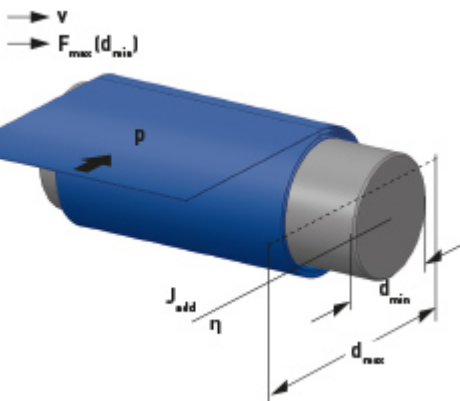
Belt drive

[Application form](#)



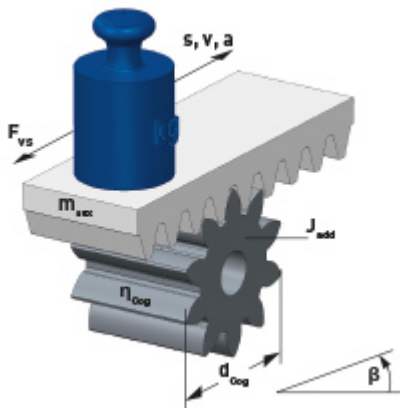
Spindle

[Application form](#)



Winders

[Application form](#)



Toothed rack

[Application form](#)

Image brochures

[Image brochure german](#)

[Image brochure english](#)

Certificates

[Certificate ISO 9001:2015 - english](#)

[Zertifikat ISO 9001:2015 - german](#)

[Maintenance manuals](#)

We look forward to hearing from you.

Do you have questions about our products or would you like personal consultation? You can find the right contact person for you here.

[Go to contact persons](#)