

Project no.		Traction drive	
Prepared / Date			
Changed / Date			

Sender

From Company _____

Contact _____

Customer number _____

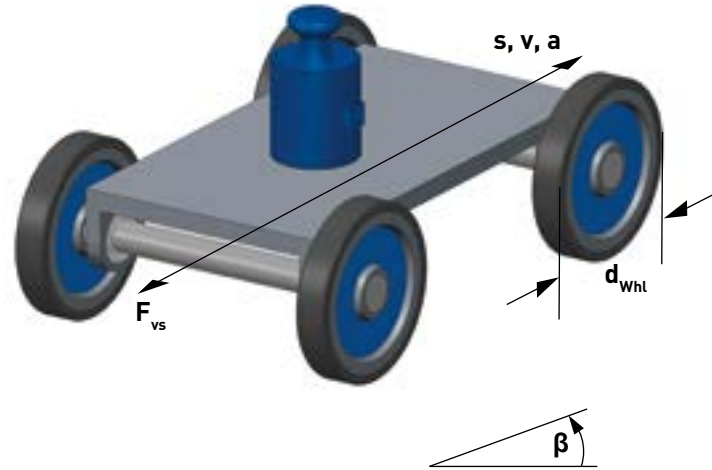
No. and Street _____

Postal code, town/city _____

Country _____

Phone _____

email _____



Application data

Diameter of wheel (d_{wht}) _____ mm

Total moving mass (m_{sum}) _____ kg

Angle of inclination (β) _____ °

Specific tractive resistance (F') _____ N/t

Additional moment of inertia (J_{add}) _____ kgm²

Kinematic key data

Cycle time (t) _____ s

Max. speed (v_{max}) _____ m/s

Max. acceleration (a_{max}) _____ m/s²

Counterforce (if present) (F_{vs}) _____ N

Gearbox details

Gearbox type _____

Gearbox size _____

Design _____

Ratio $i =$ _____

Backlash Standard Reduced \leq _____ arcmin

Installation position US = _____ AS = _____

Foodsafe version

Ambient temperature _____ °C

Motor data

Motor shaft- \emptyset $(d \times l_1)$ _____ mm

Register- \emptyset (b_1) _____ mm

Pitch circle- \emptyset (e_1) _____ mm

Motor mounting (s_2) _____

Outer geometry of flange Square Round